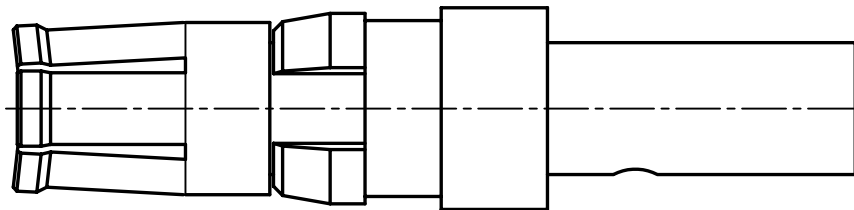
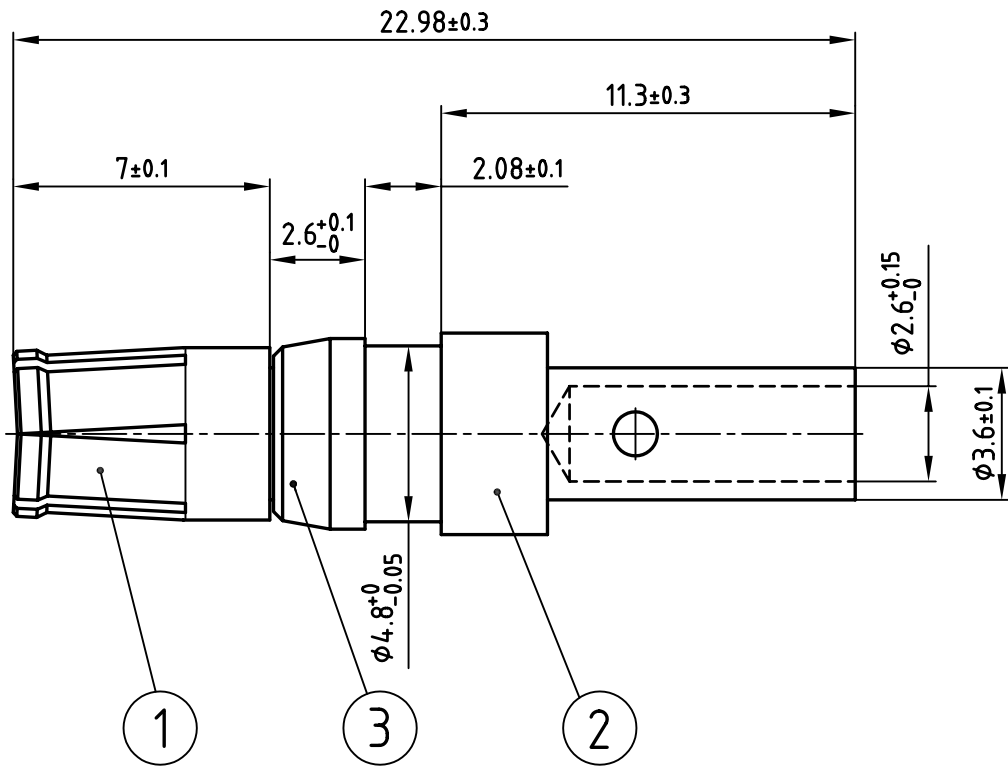


used for: D-SUB COMBINATION



**NOTES:**

- 1. MATERIAL: COPPER ALLOY
- 2. PLATING:  
 ITEM 1: min. 30µ" HARD GOLD OVER min. 50µ" NICKEL  
 ITEM 2: min. 8µ" HARD GOLD OVER min. 50µ" NICKEL  
 ITEM 3: NICKEL PLATED



THIS DRAWING MAY NOT BE COPIED OR REPRODUCED IN ANY WAY, AND MAY NOT BE PASSED ON TO A THIRD PARTY WITHOUT WRITTEN PERMISSION.  
 OWNERSHIP AND COPYRIGHT OF CONEC GmbH  
**DO NOT ALTER CAD DRAWING BY HAND**

rev.	description	date	name

tolerance

scale: 5:1  
 material: SEE NOTES

title:  
**HIGH POWER CONTACT FEMALE**  
 CRIMP VERSION 20A  
 D-SUB COMBINATION

dwg no: CAD/ /REL.13 DIN-A 4  
 sh: 1/1  
 product no: **132C11029X**

